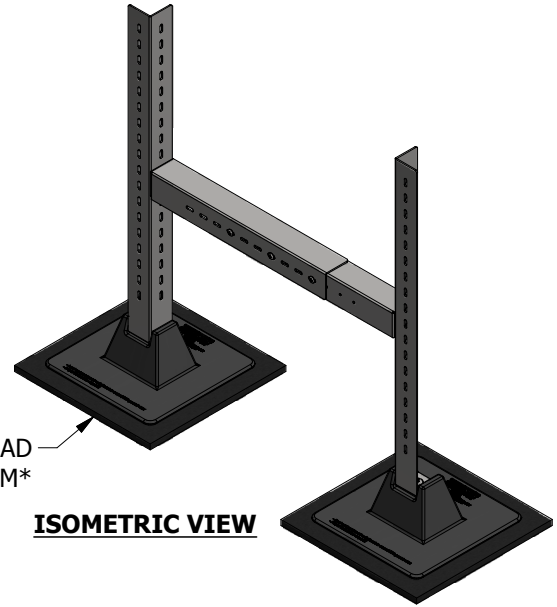
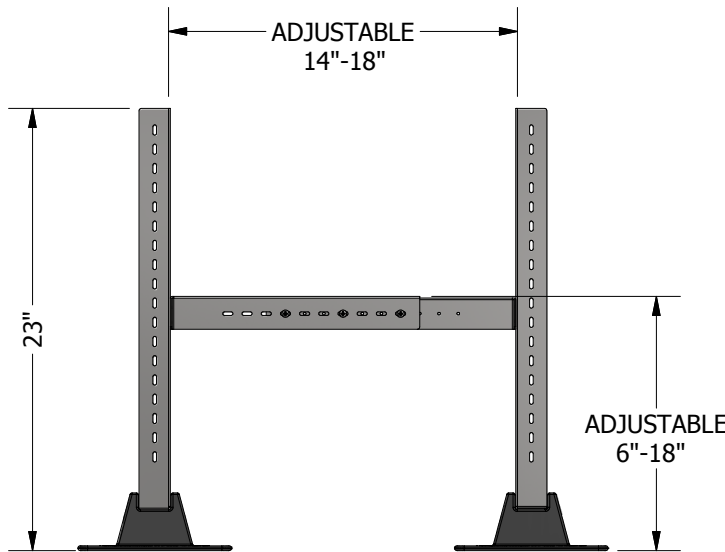


TOP VIEW

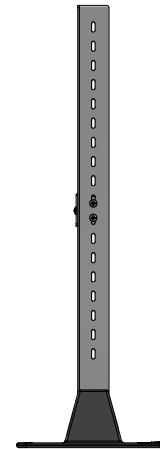


10"x10" SUPPORT PAD
ACCESSORY ITEM

ISOMETRIC VIEW



FRONT VIEW



SIDE VIEW

PRODUCT DESCRIPTION

A frame used to support square or round duct work on flat roofs. The versatility of the design for this product enables it to expand vertically and horizontally to hold small duct and cable trays running along the roof for maximum efficiency and cost savings to customers, contractors and owners. The 4-DSA model is manufactured with 14 gauge custom angle. The 4-DSA support is made of 14 gauge custom pre-galvanized angle and two 8"x8" polycarbonate plastic bases.

ACCESSORIES

- 10x10 support pad

KEY INFORMATION

- The 4-DSA model is sold as a kit only
- Recommended spacing is not to exceed 8 foot centers
- Maximum load weight is not to exceed 100 lbs. per duct support or 50 lbs. on each base.
- Base Material: Polycarbonate
- All metal parts are galvanized or stainless steel

WARRANTY INFORMATION

- 2 year limited warranty.