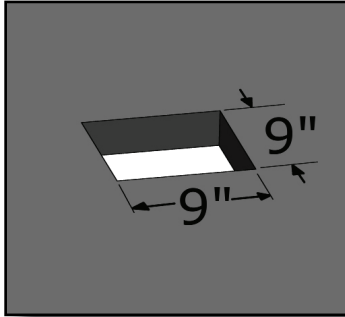


Portals Plus 5-Hole Pipe Portal® System

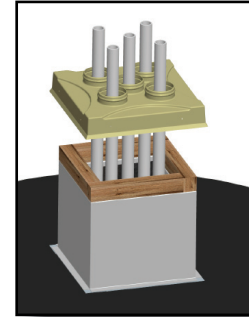
Step 1: Cut a 9"x9" hole in deck to match the inside dimensions of your 12"x12" RC-2A, RC-3A or RC-4A roof curb.



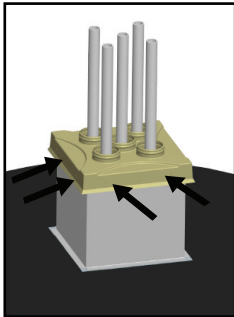
Step 2: Fasten the curb to the deck according to local codes and such that it will be aligned with the dimensions in the previous figure.



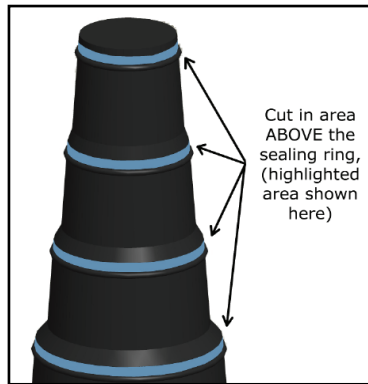
Step 3: Run piping through the curb and slide ABS curb cover over to align piping. The piping needs to be supported below the deck.



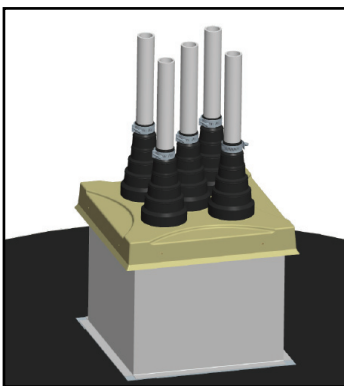
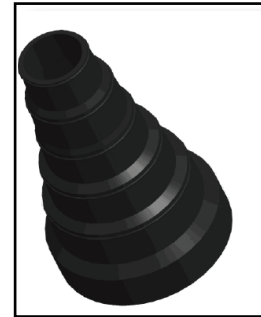
Step 4: Install roof insulation and roof membrane then install base flashing. Next, secure the ABS Cover to the curb with 8 nails or screws.



Step 5: Locate the sealing rings on the EPDM cap to size to desired pipe dimension.



Step 6: Cut the EPDM cap with scissors or utility knife to correct size.



Step 7: Secure Cap to ABS cover then secure the top of the cap with the stainless steel adjustable clamp.

Small clamp – Range: 1/2" copper to 1-1/4" nominal

Large Clamp – Range: 1-1/4" to 2-1/2" nominal

The **Portal Plus 5-Hole Pipe Portal® system** is engineered to provide a weather proof seal with any roof penetration. The EPDM caps and ABS cover provide excellent weather resistance.

The **Portals System** saves installation time with open pipe ports, so no cutting needed! We also have a weather seal rib on each port giving you weather proof protection year round.

The EPDM caps are engineered to fit 1/2" - 2 1/2" nominal pipe.