



**ISIMET-MAPA**  
 103 C J Wise, Naples, TX 75568  
 ISIMET: 866-897-0737 | MAPA: 877-897-2371  
 customerservice@isimet-mapa.com

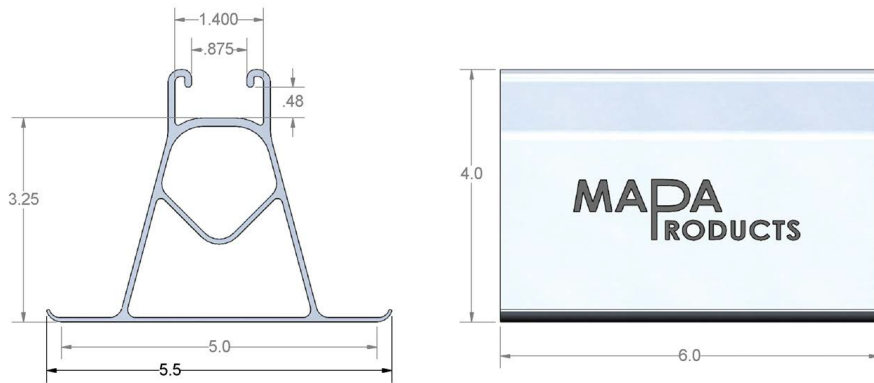
**A-Strut Series Pipe Supports:** Available in lengths of 6, 8, 10 and 12 inches. Change strut length in model number as shown below.

**Engineering Specification & Detail:**

Support for pipe, conduit, duct, refrigeration lines, solar panels, cable trays and equipment support shall be MAPA Products A-Series Supports. Manufactured from extruded aluminum with an integrated industry standard strut designed to allow for a “free-standing”, “non-penetration” installation that can incorporate readily available strut accessories.

*Optional: Provide support with adhered isolation pad installed in accordance with the project manager or other designated roofing professional.*

Example of Engineering Detail available in .dwg and .pdf formats at [www.MAPAProducts.com](http://www.MAPAProducts.com)



**Model Number Key: (Example)**

