



# **BIG** Roller Pipe Support



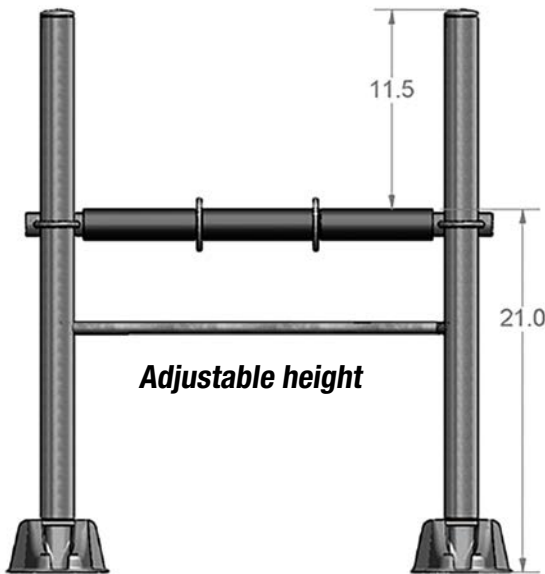
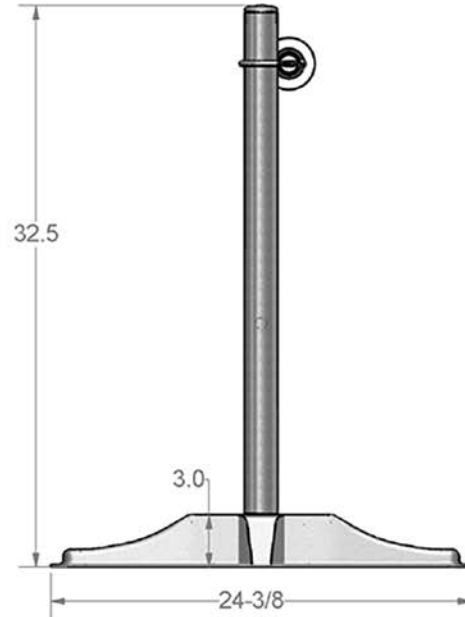
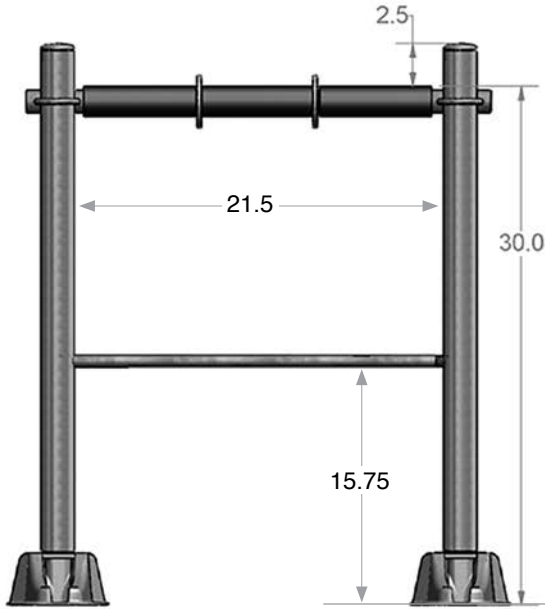
[www.MAPAproducts.com](http://www.MAPAproducts.com)  
(903) 781-6996

Innovative rooftop supports since 1998

- Designed for large diameter pipe
- Rollers allow for thermal expansion and contraction
- Ships flat and assembled; just rotate bases
- Rollers make pipe easy to install; spacers prevent pipe from "walking"

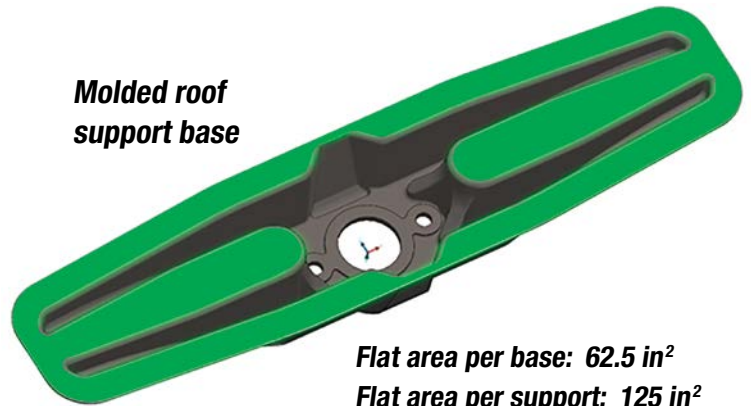
# Specifications

## BIG Roller Pipe Support



**Adjustable height**

**Molded roof support base**



**Flat area per base: 62.5 in<sup>2</sup>**  
**Flat area per support: 125 in<sup>2</sup>**  
**Green notes surface area**

<b>Insulation compressive strength</b>	<b>2 lb/in<sup>2</sup></b>	<b>5 lb/in<sup>2</sup></b>	<b>10 lb/in<sup>2</sup></b>	<b>15 lb/in<sup>2</sup></b>	<b>20 lb/in<sup>2</sup></b>
<b>Support maximum load</b>	<b>250 lbs</b>	<b>625 lbs</b>	<b>1250 lbs</b>	<b>1875 lbs</b>	<b>2500 lbs</b>



[www.MAPAproducts.com](http://www.MAPAproducts.com)  
 (903) 781-6996

**Innovative rooftop supports since 1998**