

# Big Roller Pipe Support

Model: MC-R2432



## Features

- Made in the USA
- Ships Flat and assembled
- Adjustable
- Spacers to prevent lateral movement
- 24" long bases to prevent tipping
- Heavy Duty Galvanized pipe support frame
- Rollers allow for Thermal Expansion
- Single/multiple piping runs
- Available with Heavy Duty Walk Pad
- Limited Lifetime Warranty

## Overview

MAPA Products, Large Roller Support is fully assembled that ships flat by rotating the bases. Support beam is anchored by included U-Bolts to provide a stable mount for a variety of piping applications.

Used within the recommended load limits, the Large Roller Support is designed for large diameter pipes that will allow for thermal expansion and contraction of the piping system. Included spacers will prevent the pipe from moving laterally causing disruption to the overall piping system.

Large Roller supports provide a price conscious alternative that is simple to install while saving time and labor on the project.

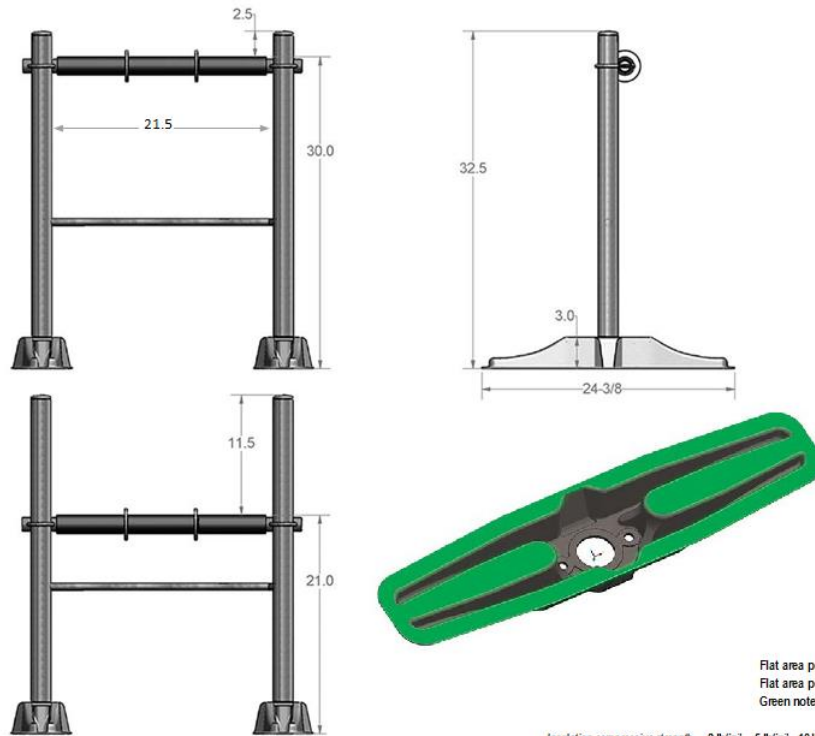
Simple installation, evenly space the supports within their load rating; for piping provide an additional support within two feet of each change in direction.

## Installation



## Engineering Specification Guide

Support for pipe, conduit, duct, refrigeration lines, solar panels, cable trays and equipment support shall be MAPA Products D-Series Supports. Manufactured from extruded aluminum with an integrated industry standard strut designed to allow for a "free-standing", "non-penetration" installation that may incorporate readily available strut accessories. Provide support with adhered isolation pad installed in accordance with the project manager or other designated roofing professional.



## Advantages

- Made in the USA
- Simple labor-saving installation, Ships flat by rotating bases
- Heavy Duty Galvanized Steel Pipe.
- Versatile design allows for a variety of Mechanical, Electrical and Plumbing applications.
- Rollers make pipe easy to install; spacers prevent pipe from “walking”.
- Adjustable; 12” adjustment factor.
- May be used with any flat surface including BUR, membrane, metal and foam roofs.
- Molded roof support base 24” long to prevent tipping and allow for heavier loads.
- Available with Heavy Duty Walk Pad.
- Limited Lifetime Warranty, see MAPA Products warranty documentation for complete details.



ISIMET/MAPA, LLC.  
103 CJ Wise Pkwy, Service Road West  
Naples, TX 75568

**HOURS:** M-F 8:00am - 4:30pm (CST)  
**Phone:** 903-781-6996  
**Fax:** 903-781-6997  
**Email:** [sales@mapaproducts.com](mailto:sales@mapaproducts.com)

