



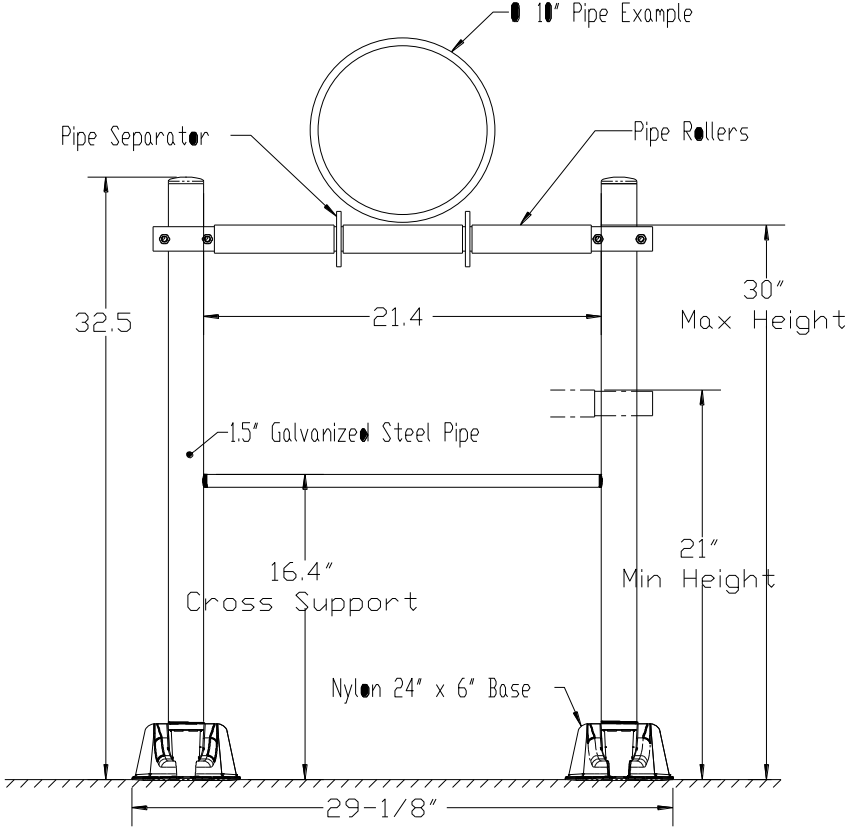
ISIMET-MAPA
103 C J Wise, Naples, TX 75568
ISIMET: 866-897-0737 | MAPA: 877-897-2371
customerservice@isimet-mapa.com

MAPA Big Roller Pipe Support

Engineering Specification/Detail:

Big Roller Pipe support base shall combine UV protected 33% fiberglass reinforced 6/6 Nylon with an adjustable galvanized pipe assembly which securely attaches to the base. To provide additional protection to the roof, support assembly shall include roof isolation pads to be placed under MAPA Supports. Isolation pads shall be 1/2" 100% recycled black rubber design Heavy-Duty Walk Pads, sized and provided by MAPA Products. Supports should be positioned so that piping rests evenly on the roller without undo strain. Install per manufacturer's recommended installation procedures.

Example of Engineering Detail available in .dwg and .pdf formats at www.MAPAProducts.com



MAPA Large Roller Support Detail